

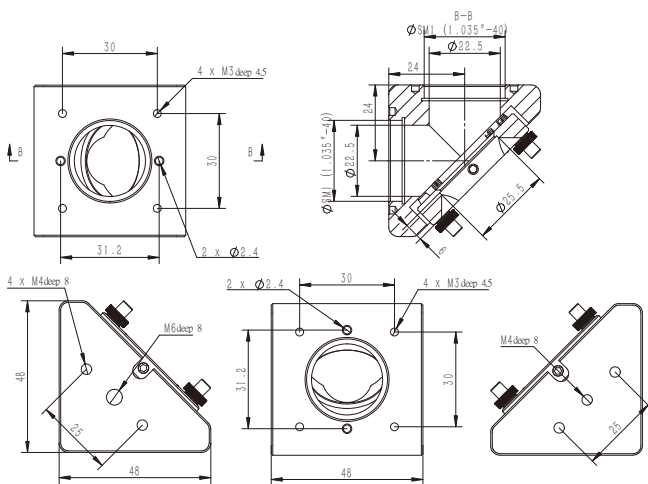
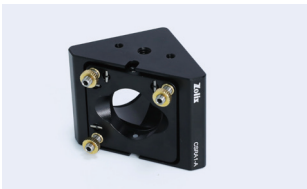
Right-Angle Kinematic Mirror Mounts

Zolix cage systems right-angle mount is designed for a mirror whose nominal horizontal position is at a 45° angle, compatible with 30 mm cage systems which suitable for building compact systems. The ports are equipped with SM1 threaded bores which are compatible with Ø25.4 mm lens tube, the mounting plate is designed for Ø25.4 mm optics which are at least 3 mm thick, a tipped adjustment screw is used to secure optics. The kinematic pitch and yaw adjustment plate is actuated by three adjustment screws that provide ±3° kinematic pitch and yaw angular adjustment, ±2.5 mm linear position adjustment. The entrance side is vertical to the exit side, both sides provide four tapped holes or smooth bore holes to fix Ø6 mm post.

- Mounts $\Phi 25.4$ mm optics with 3mm minimum thickness;
- Provide $\pm 3^\circ$ kinematic pitch and yaw adjustment;
- Compatible with 30 mm cage systems;
- The thread pair with locking function;

Model	Acceptable Optic Minimum Thickness	Cage rod fixed mode	Adjuster
CSRA1-A	3 mm	Tapped hole	M4×0.2/ 3 pieces
CSRA1-B	3 mm	Smooth bore hole	M4×0.2/ 3 pieces

CSRA1-A



CSRA1-B

