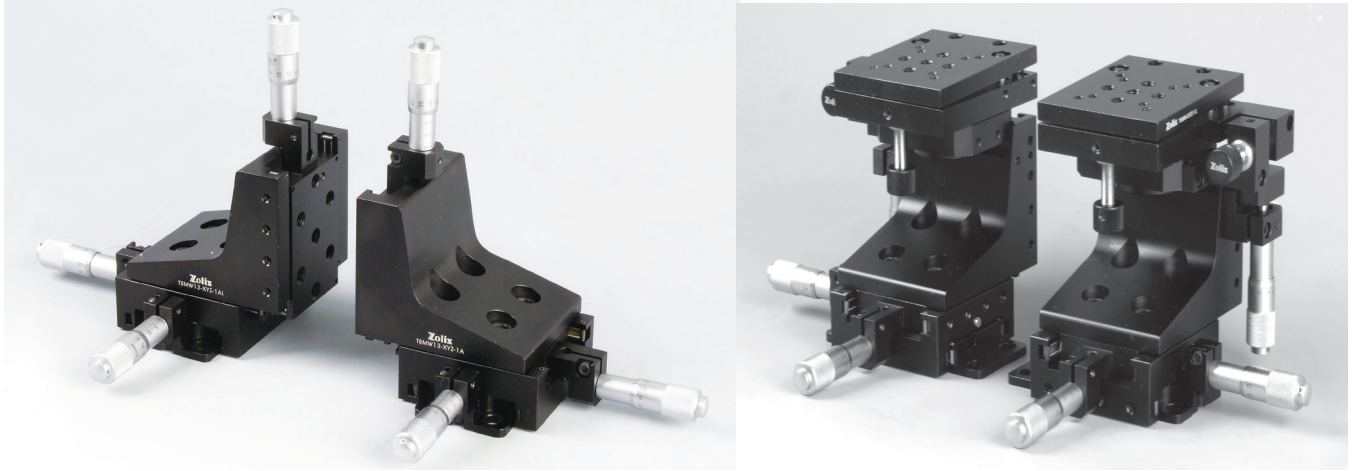


Manual Integrated Stages

TSMW Series Bearing Linear Stage, 13mm XYZ Travel



Description:

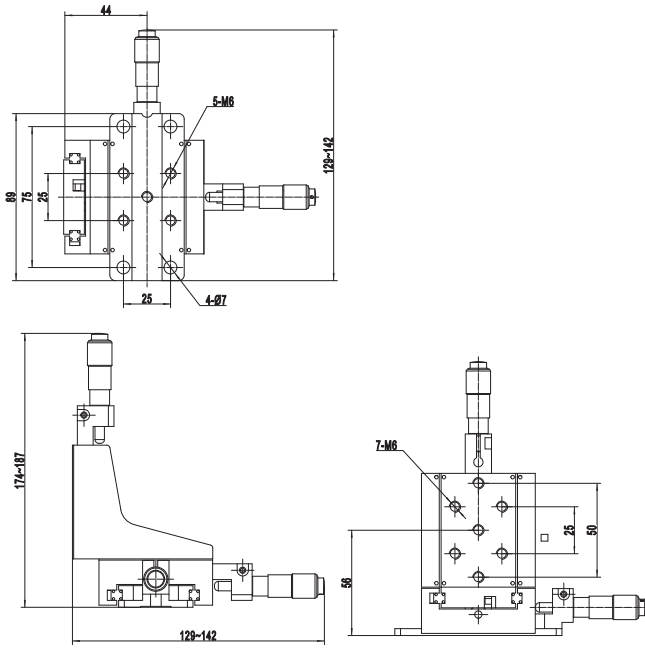
- Compact structure design, able to achieve five axis adjustment. Stage surface can be adjusted around the Z axis, Y axis.
- Right hand operation type and left hand operation type(model name end with L)
- Precision linear ball guide, micrometer drive, comfortable movement, high precision, spring return.

Selection chart:

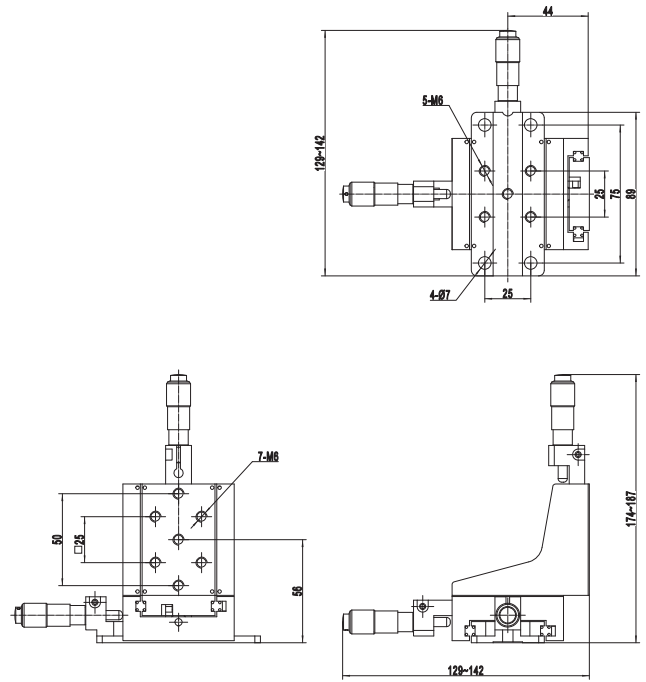
Model		TSMW13-XYZ-1A	TSMW13-XYZ-1AL	TSMW-XYZT-1	TSMW-XYZT-1L
Travel range	X(mm)			13	
	Y(mm)			13	
	Z(mm)			13	
	$\theta_y(^{\circ})$		-		± 5
	$\theta_z(^{\circ})$		-		± 5
Guide mechanism		Linear ball guide		Linear ball guide+Rotation mechanism	
Drive type		Micrometer		Micrometer+Screw	
Weight(Kg)		0.9		1.35	
Load capacity(Kg)		2.5		2.5	

Dimensions

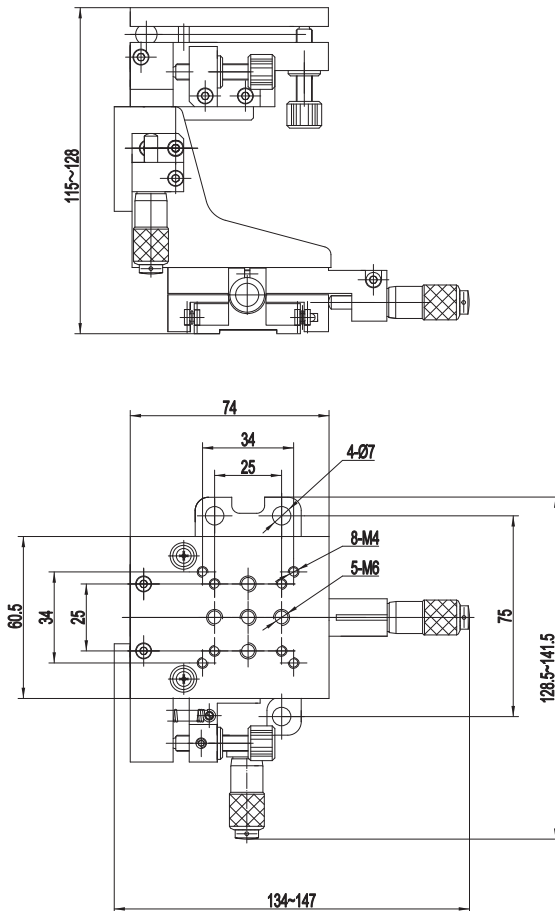
TSMW13-XYZ-1A



TSMW13-XYZ-1AL



TSMW-XYZT-1



TSMW-XYZT-1L

