

# MJ Series High Load Lab Jack



### Description:

MJ series Lab Jack is special designed for long travel range and high load occasions in Z axis. The main body is constructed by high hardness aluminum alloy. The surface has been treated with black anode oxidation, a good option for dark environment application.

### Features:

- Shear lifting mechanical structure, large stroke, strong load capacity
- Main body material is hard aluminum alloy, the surface with oxidation black treatment, good durability, low reflectivity
- Fine lead screw drive, easy to use
- Multiple specifications, good compatibility, high cost performance

### Naming rules

## MJ 120

MJ(Manual Jacks):  
Aluminum alloy, lab jack,  
large travel, high load

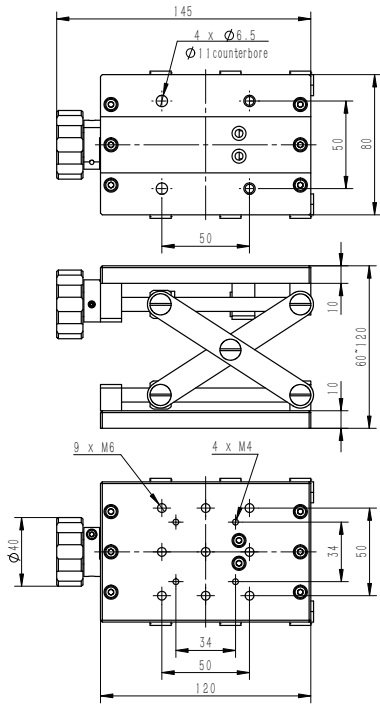
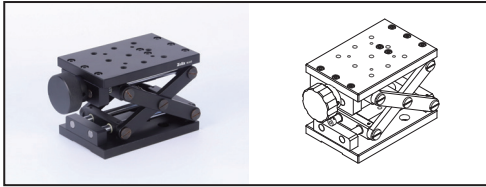
Travel range :  
60:60mm  
120:120mm  
240:240mm

### Selection chart

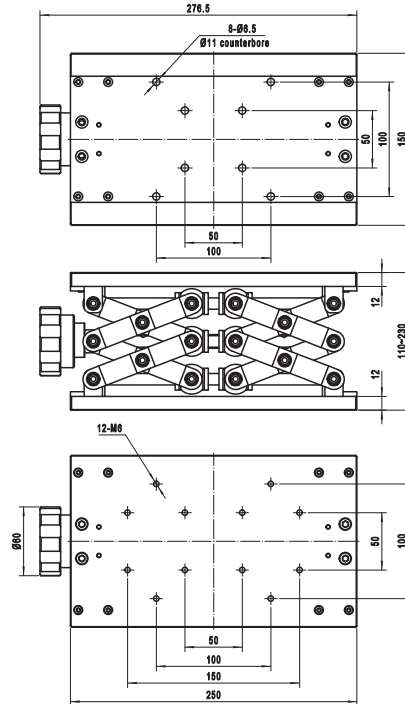
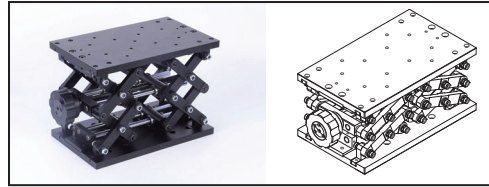
Model	MJ60	MJ120	MJ240
Travel range(mm)	60	120	240
Stage surface height range(mm)	60~120	110~230	110~350
Stage surface size(mm)	120×80	250×150	400×150
Drive type	Fine lead screw, $\phi 8 \times 1$ Two-way fine lead screw, $\phi 12 \times 1.75$		
Main body material, surface treatment	Black anodized aluminum alloy		
Load capacity(Kg)	10	30	40
Weight(Kg)	1.1	4.5	8.7

**Dimensions:**

MJ60



MJ120



MJ240

