

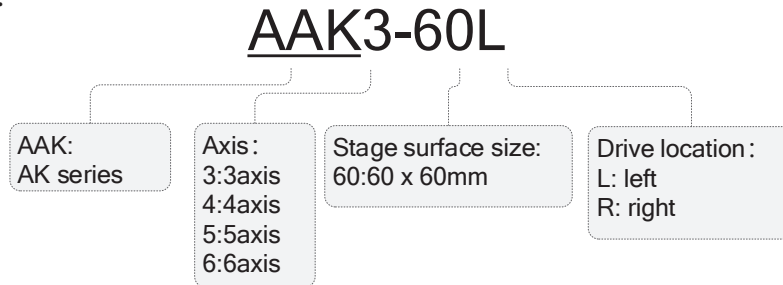
Combined Manual Stages

AAK Series Combined Manual Stages

Features:

- Main body material is aluminum alloy, good corrosion resistance
- Compact structure, cost-effective
- Multiple Drive location, easy to adjust

Naming rules:

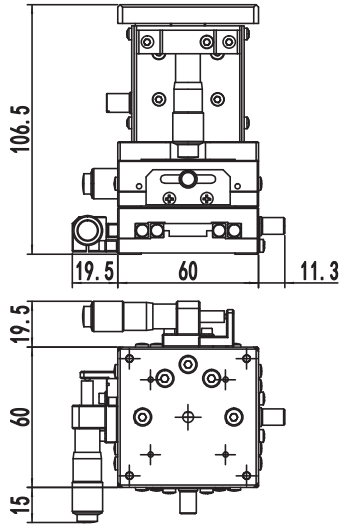
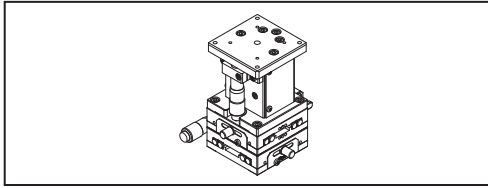


Selection chart:

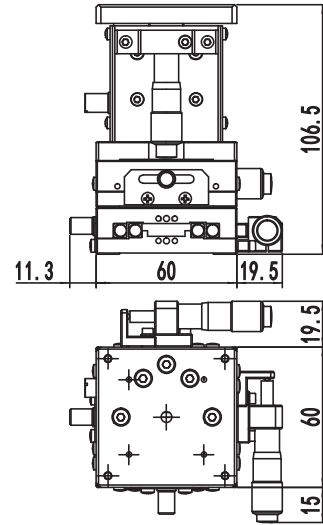
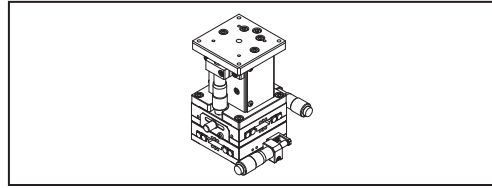
Model	AAK3-60L	AAK4-60L	AAK5-60L	AAK6-60L	AAK3-60R	AAK4-60R	AAK5-60R	AAK6-60R	
Configurations	X	AK13A-6020SL			AK13A-6020SR				
	Y	AK13A-6020SL			AK13A-6020SR				
	Z	AKV13A-60Z			AKV13A-60Z				
	θ_z	-	AKR10A-60			-	AKR10A-60(Special models for combined products)		
	θ_x	-	-	AKG75-60		-	-	AKG75-60	
	θ_y	-	-	-	AKG50-60	-	-	-	AKG50-60
Travel range	X	$\pm 6.5\text{mm}(10\mu\text{m}/\text{scale})$			$\pm 6.5\text{mm}(10\mu\text{m}/\text{scale})$				
	Y	$\pm 6.5\text{mm}(10\mu\text{m}/\text{scale})$			$\pm 6.5\text{mm}(10\mu\text{m}/\text{scale})$				
	Z	$\pm 6.5\text{mm}(10\mu\text{m}/\text{scale})$			$\pm 6.5\text{mm}(10\mu\text{m}/\text{scale})$				
	θ_z	-	Coarse: 360° ;Fine: $10^\circ (50.4''/\text{scale})$			-	Coarse: 360° ;Fine: $10^\circ (50.4''/\text{scale})$		
	Hx	-	-	$\pm 8^\circ$		-	-	$\pm 8^\circ$	
	θ_y	-	-	-	$\pm 10^\circ$	-	-	-	$\pm 10^\circ$
Weight(Kg)	1	1.35	1.7	2.1	1	1.35	1.7	2.1	
Load capacity(Kg)	3	2.5	2	1.5	3	2.5	2	1.5	

Dimensions:

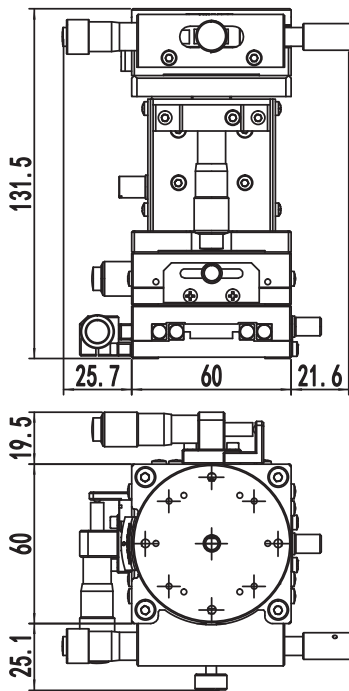
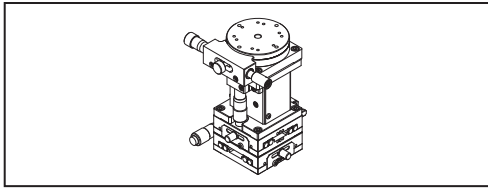
AAK3-60L



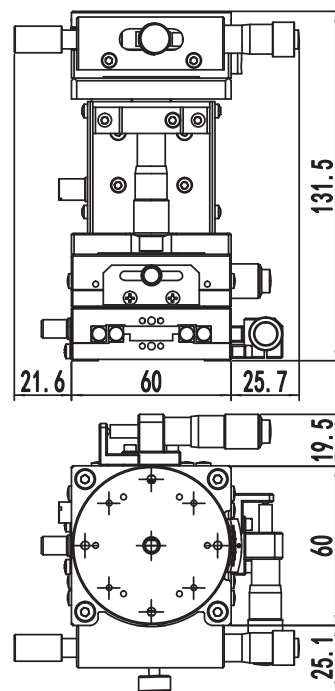
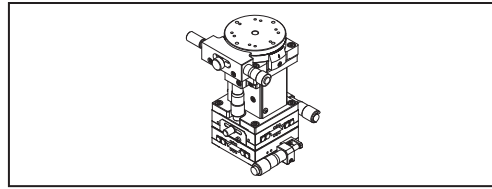
AAK3-60R



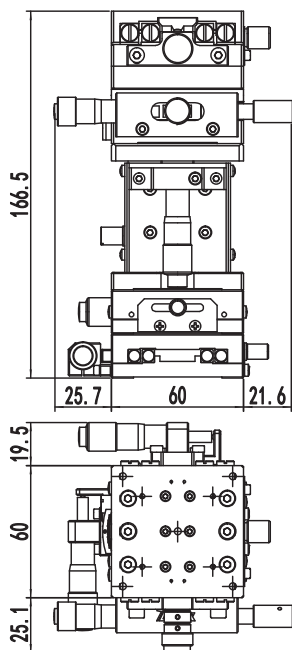
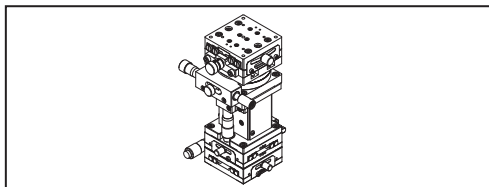
AAK4-60L



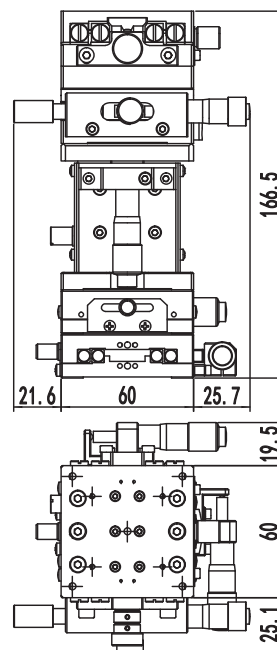
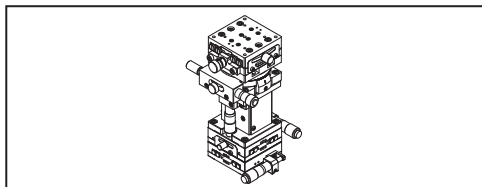
AAK4-60R



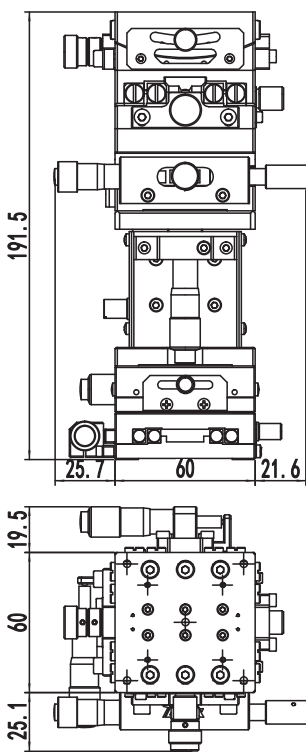
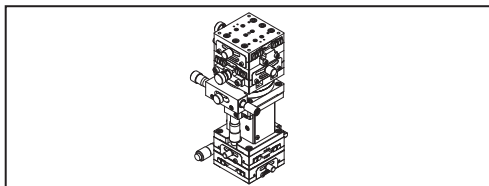
AAK5-60L



AAK5-60R



AAK6-60L



AAK6-60R

